

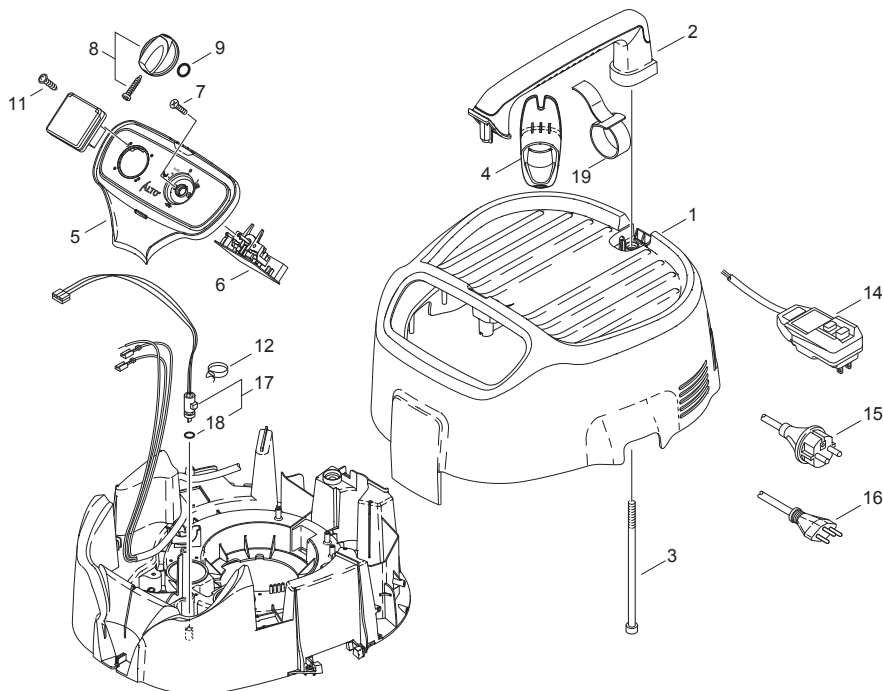
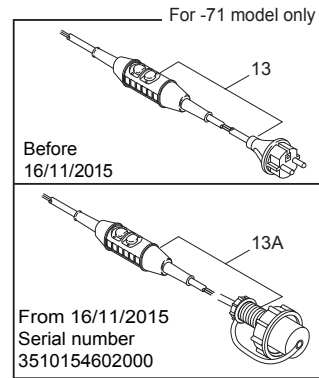
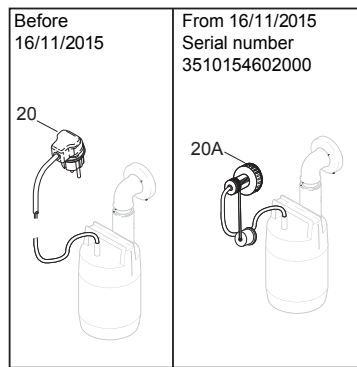
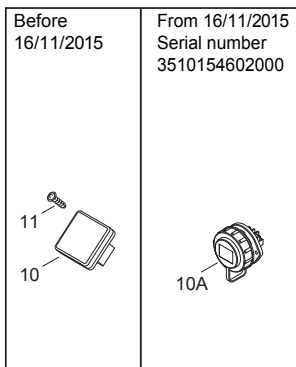
PARTS LIST



2021.04.14

TABLE OF CONTENTS

Cabinet 751-61, -71, 19 GALLON AE.....	1
Base, motor, filter 751-61, -71, 19 GALLON AE.....	3
Container 751-61, -71, 19 GALLON AE.....	5
Frame 751-71.....	7
Accessories 550, 751.....	9
RECOMMENDED SPARE PARTS.....	11

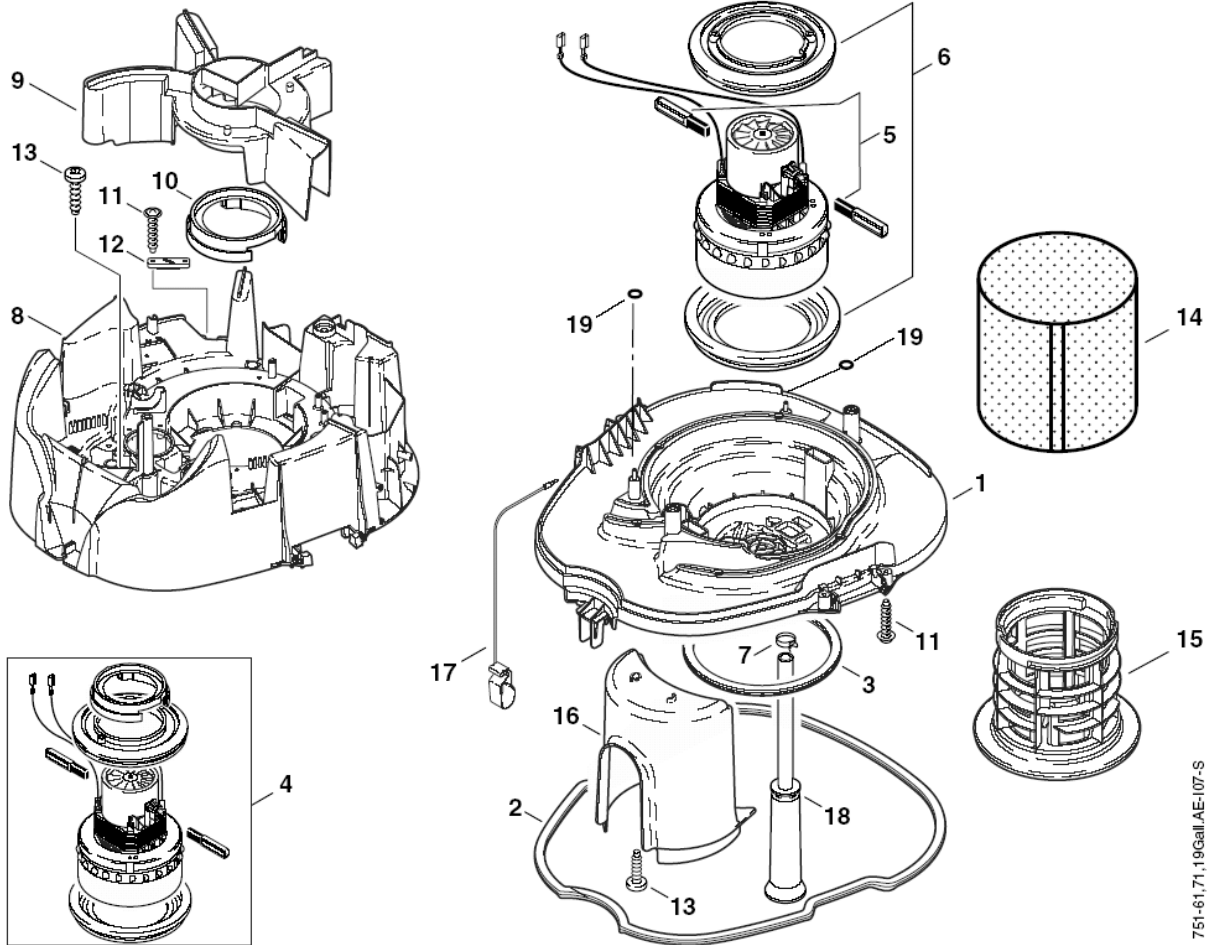


Pos.	Vare-nr	Antal	Beskrivelse	Notes
1	107402652	1	Kabinet (Top)	
2	107402650	1	Løftehåndtag	
3	909100084	2	Skruer M6	
4	302000380	1	Kabelholder	[1]
5	302001589	1	Switch Box Attix 7-61	
6	302001712	1	Circuit Board Ec 220/240V	[2]
6	302001711	1	ELECTRONIC 100-120V SET1	[3]
7	18274	2	Skruer M4X12	
8	909100204	1	Drejeknap	
9	9868	1	O-ring 10.0X2.5	
10	302004034	1	Stikdåse 16A/250V Eu	[4]
10A	107416449	1	SOCKET KIT FOR 2P+E 16A/230V - IP 68	[5]
11	11256	2	Skruer Ka3,5X18	
12	107400578	1	HOSE CLAMP D10	
13	302001580	1	POWER CORD H07RN-F 3G1.5X10.7	[6]
13A	107416447	1	POWER CORD KIT FOR H07RN-F PRCD IP68 EU	[7]
14	302001708	1	POWER CORD SJTW-A AWG	[8]
15	107402642	1	Elkabel, DK	[9]
15	107402641	1	Power Cord H05Rr-F 3G1.5X 8X2	[10]
16	107400267	1	Cord H05Rr-F 3G1.0 Ch	[11]
17	107402655	1	Temperature Sensor Kit	
18	55416	1	O-RING 4.0x1.5 NBR70	
19	302001611	1	CLAMPING TAPE ATTIX 7	[12]
20	11832	1	Elstik til dykpumpe	[4]
20A	107416448	1	POWER PLUG KIT FOR 2P+E 16A/230V IP 68	[5]

Part Notes:

- [1] - 751-61, 19 Gallon AE
- [2] - 220-240V
- [3] - 100-120V
- [4] - TSB-LI-VAC-2015-002 ATTIX 751-61,-71 IP68 update
DE TSB-LI-VAC-2015-002 ATTIX 751-61,-71 IP68 Aktualisierung
- [5] - From 16/10/2015 Serial number 3510154602000
- [6] - 751-71
TSB-LI-VAC-2015-002 ATTIX 751-61,-71 IP68 update
DE TSB-LI-VAC-2015-002 ATTIX 751-61,-71 IP68 Aktualisierung
- [7] - For -71 model only.
From 16/11/2015 Serial number 35101546020
- [8] - 19GALLON AE
- [9] - 751-61*DK*
- [10] - 751-61*EU*
- [11] - 751-61*CH*
- [12] - 751-71

ATTIX 751-61, 19 Gallon AE, 751-71

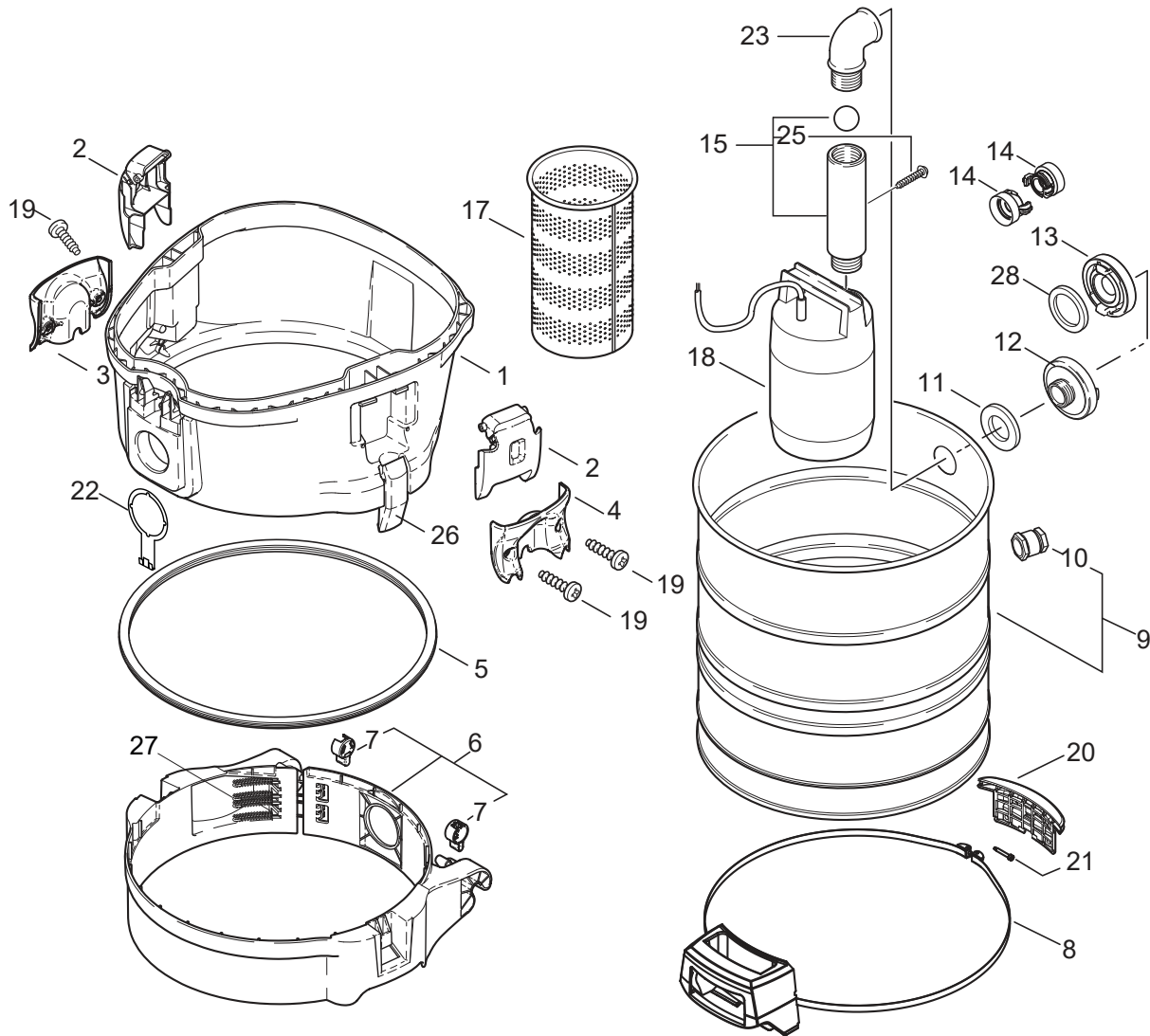


751-61,71,19Gall.AE-107-S

Pos.	Vare-nr	Antal	Beskrivelse	Notes
01	302000372	1	Plade	
02	302000637	1	Tætning til beholder	
03	302000460	1	Tætning til filter	
04	26784	1	Motor 120V 1200W	[1]
04	49594	1	Motor 220V 1200W	[2]
04	26785	1	MOTOR 120V 1000W	[3]
04	26783	1	MOTOR 100V 1200W	[4]
05	26775	1	"Kulsæt ""L"" "	[5]
05	49625	1	Kulsæt C	[6]
05	26774	1	"Kulsæt ""M"" "	[7]
06	28875	1	"Motorpakningssæt ""L""+"M"" "	[8]
06	42538	1	"Motorpakningssæt ""C"" "	[9]
06	107402627	1	MOTOR BEARING RING SET EC	[6]
06	29205	1	SEAL	[8]
07	909100137	1	Band Clamp Fitting 19	
08	107402638	1	Plate Chuck	
09	302000373	1	Lufffordeler	
10	47036	1	Gummipakning	
10	47035	1	COLLAR 55 SHORE A EPDM	[10]
11	11256	6	Skruer Ka3,5X18	
12	5697	1	STRAP 3X8X33	
13	909100138	9	Skruer	
14	15475	1	Metal-filter til vâdsugning RF	
15	107413310	1	FILTER SUPPORT CAGE - KIT	
16	302001436	1	Deflector	
17	61174	1	Jordkabel	
18	302001473	1	Hose D40X396	
19	62359	2	GASKET 9X4X1	

Part Notes:

- [1] - 110-120V/1200W
- [2] - 220-240V/1200W
- [3] - 120V/1000W
- [4] - 100V/1200W
NO LONGER AVAILABLE
- [5] - FOR IDENTIF. LETTER "L"
- [6] - FOR IDENTIF. LETTER "C"
- [7] - FOR IDENTIF. LETTER "M"
- [8] - FOR IDENTIF. LETTER "L"+"M"
- [9] - FOR IDENTIF. LETTER "C"
- [10] - 19GALL.AE

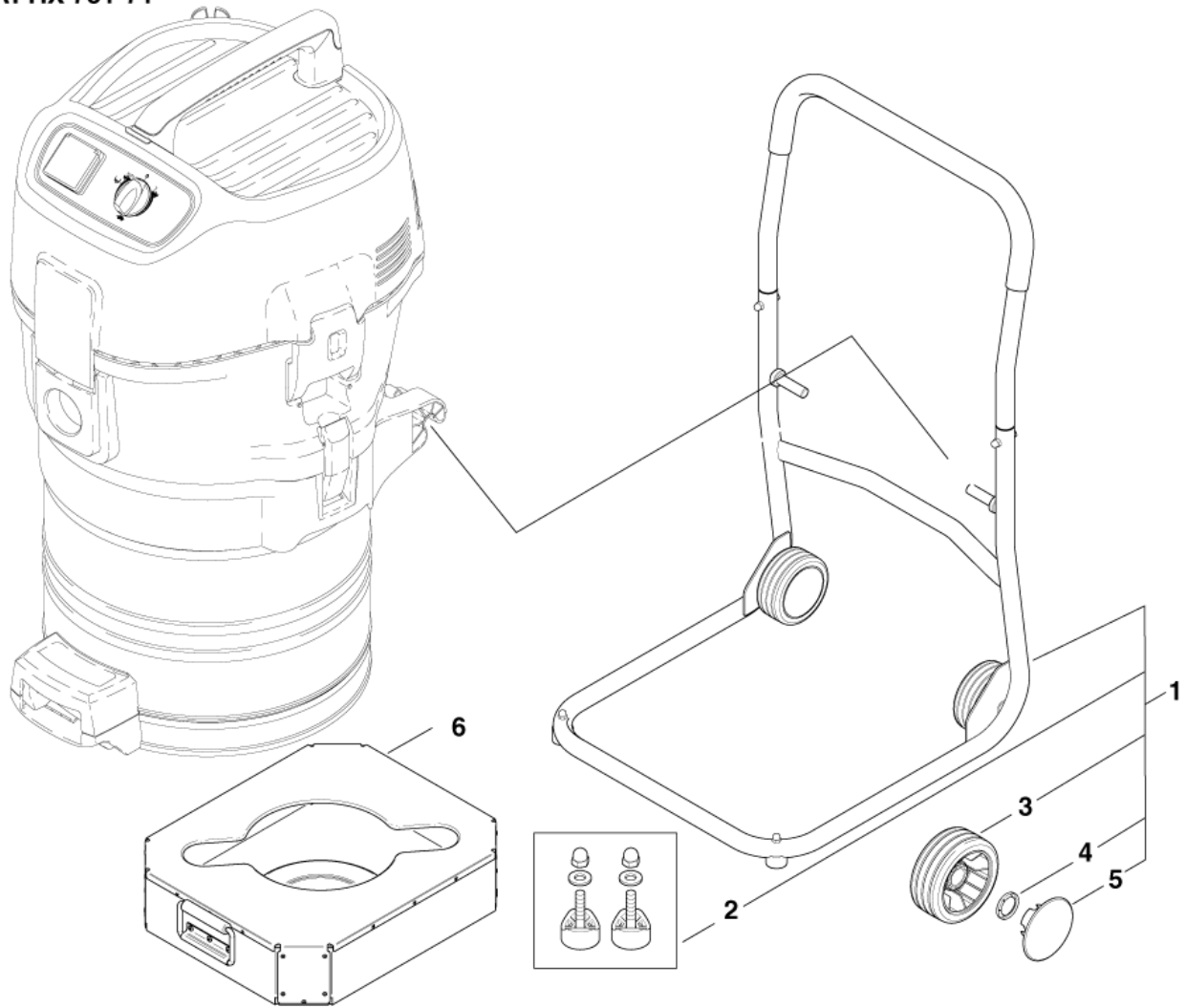


Pos.	Vare-nr	Antal	Beskrivelse	Notes
1	107400257	1	Mellemring	
2	302000349	2	Lukkeclamp	
3	302001553	1	SEAL CLAMP	
4	302001552	1	SEAL CLAMP	
5	302001432	1	Pakning Container	
6	302001704	1	Belt Container 1480 Set	
7	302001441	2	Interlock ATTIX 7	
8	302001605	1	Håndtag	
9	302001361	1	Beholder ATTIX 7 / Fire Brigade	
10	64901	1	SCREWED CABLE GLAND M16X1.5	
11	107402254	1	Gasket Kit D42X58X6	
12	302001482	1	"Kopling C 1 1/4" "	
13	107402618	1	Kobling	
14	7729	2	Geka kobling	
15	302001133	1	Discharge Pipe Assy.	
17	302001434	1	Opsamlingskurv	
18	302000297	1	Pump 230/50 650W	[1]
18	302000307	1	Pump Subm. 115/60 650Wc G 5/4/	[2]
19	909100138	4	Skrue	
20	302001363	1	Holder 155X55X35	
21	302001613	1	Skrue M5X35X5	
22	107400145	1	Ground Connector	
23	21678	1	Vinkel 1.1/4	
25	43341	1	SCREW 5X30	[3]
26	19880	1	Snaplås	
27	909100383	1	Spring 1.40X7.5X113	
28	31001309	1	SEAL F. C-CUPL C52 NITRIL DIN14321 WHITE	

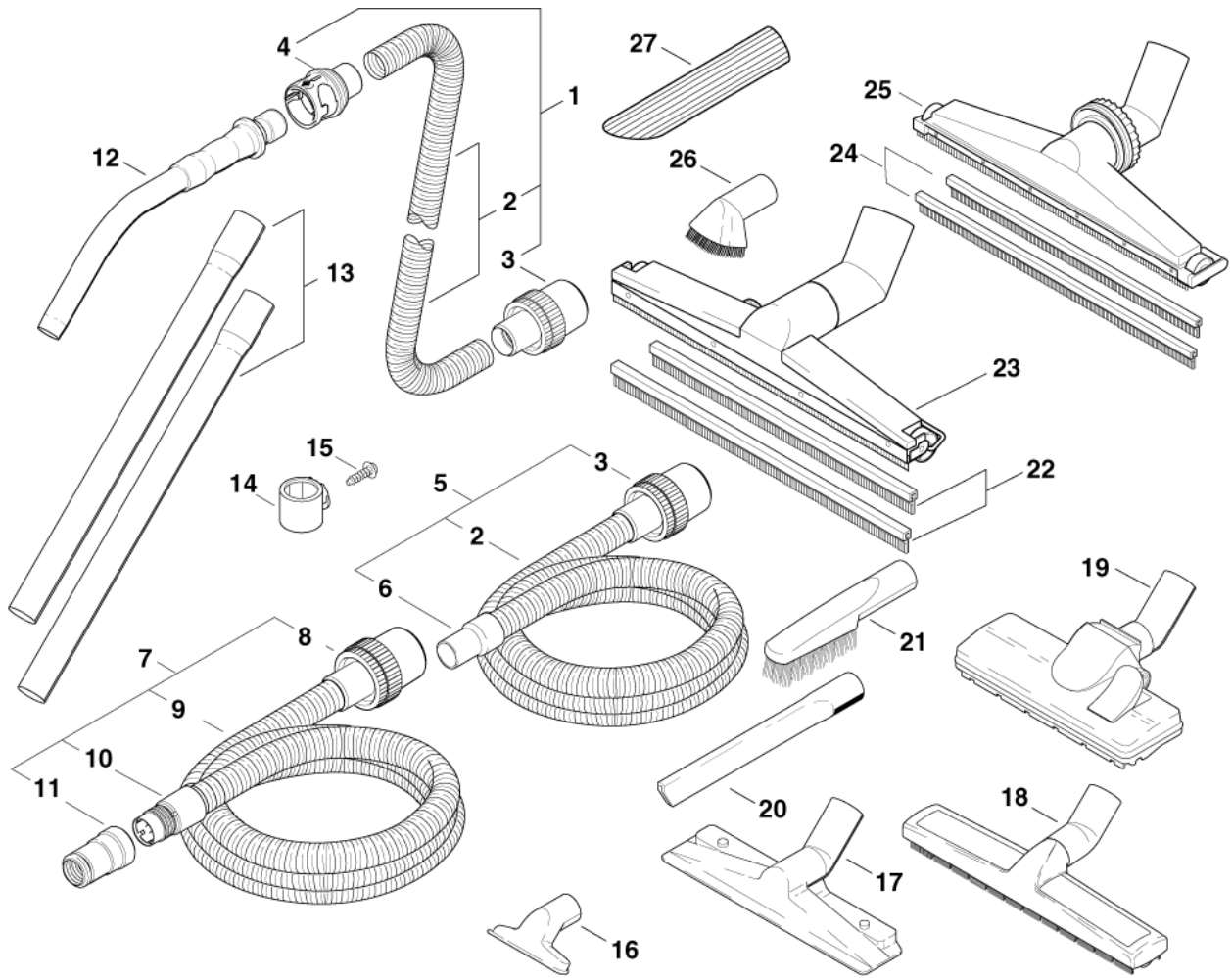
Part Notes:

- [1] - 230V/50HZ
- [2] - 115V/60HZ
- [3] - STOCK COVERS GUARANTEE

ATTIX 751-71



Pos.	Vare-nr	Antal	Beskrivelse	Notes
01	302001472	1	BASE FRAME ATTIX 7	
02	302001705	1	SUSTAINER Ø 26X17 SET2	
03	302000465	2	Hjul	
04	47302	2	Låseskive	
05	25710	2	HUB CAP Ø 75	
06	302001554	1	Opbevaringskasse til tilbehør	



Pos.	Vare-nr	Antal	Beskrivelse	Notes
01	25537	1	Sugeslange universal 4 m lynkobling Ø36	
01	302001677	1	Sugeslange olieres. 4 m lynkobling Ø36	[1]
01	46948	1	Sugeslange universal 3 m lynkobling Ø36	
02	11985	1	Sugeslange Ø36 pr. meter (max. 20 meter)	
02	6429	1	Sugeslange Alu Ø36Mm Pr.M	[1]
03	15102	1	Slangemuffe Ø36/50	
04	107417867	1	HOSE SLEEVE Ø36 AS QUICKSYSTEM	
05	15805	1	Sugeslange 3 m Ø36	
06	11597	1	Muffe til rør Ø36	
07	107406091	1	Sugeslange AntiStatic 3,5m Ø27 m.adapter	
08	15369	1	Slangemuffe Antistat Ø27	
09	15326	1	Sugeslange AntiStatic pr. meter Ø27	
10	63509	1	Gevindstykke Ø27	
11	107404520	1	Adapter Ø27/36	
12	46691	1	Rørbøjning RF stål Ø36	
12	302000528	1	Rørbøjning krom-belagt lynkobling Ø36	
13	107408074	1	Forlængerrør RF 505 mm 2 stk. Ø36	
13	302000529	1	Forlængerrør krom 500 mm 2 stk. Ø36	
14	26821	1	Tilbehørsholder ATTIX	
14	28546	1	Holder Floor-Nozzle	[2]
15	12400	1	Skruer	[3]
16	14295	1	Polstermundstykke plast 115 mm Ø36	
17	5147	1	Gulvmundstykke alu 330 mm Ø36	
18	60356	1	Gulvmundstykke 360 mm Ø36 wet/dry	[4]
19	302000477	1	Kombimundstykke plast 260 mm Ø36	
20	6084	1	Fugemundstykke plast 300 mm Ø36	
21	6086	1	Børstemundstykke plast 230 mm Ø36	
22	15352	1	Gummilæber standard (2 stk.)	[1]
23	15349	1	Vådsugningsmundstykke alu 450 mm Ø36	[1]
24	6114	1	Gummilæber (2 stk.)	
25	5149	1	Gulvmundstykke plast 400 mm Ø36	
26	5146	1	Børstemundstykke plast 70 mm Ø36	
27	5067	1	Fugemundstykke gummi 190 mm Ø36	
	302000524	1	Tilbehørsnet	[5]
NS	7567	1	Afledningslange til dykpumpe 15m	
NS	31001309	1	SEAL F. C-CUPL C52 NITRIL DIN14321 WHITE	[6]

Part Notes:

- [1] - 751-71
- [2] - 12GALL.RDF
- [3] - STOCK COVERS GUARANTEE
- [4] - WET/DRY
- [5] - PRUNED DUE TO LOW SALES
- [6] - Part of 7567

RECOMMENDED SPARE PARTS

ATTIX 751-71

2017.11.02

2015.06.29

Pos.	Vare-nr	Antal	Beskrivelse	Notes
01	107413315	1	BASE PLATE - KIT	
01	11832	1	Elstik til dykpumpe	
01	302001441	1	Interlock ATTIX 7	
01	107400271	1	CORD H07BQ-F 3G2.5 GB	[1]
01	302004034	1	Stikdåse 16A/250V Eu	[2]
01	47302	1	Låseskive	
01	14808	1	COUPLING FEMALE G1/4	[3]
01	3750	1	Lås Ø20	
01	107400270	1	CORD H05RR-F 3G1.5 BS1 363 GB	[4]
01	60561	1	Sugemotor 220-240V 1200W	[5]
01	107404779	1	Sugeslange med samlemuffe 3,5 m Ø27	[6]
01	64937	1	SCREENING FILTER	[7]
01	302001711	1	ELECTRONIC 100-120V SET1	[8]
01	302001482	1	"Kopling C 1 1/4"" "	
01	26784	1	Motor 120V 1200W	[9]
01	302000428	1	Electronic Flowsens 9X6Mm	
01	107412690	1	Skjold med klapper	
01	302000751	1	Filterelement Ø275x185 PET M-klasse	
01	6114	1	Gummilæber (2 stk.)	
01	19880	1	Snaplås	
01	29205	1	SEAL	[10]
01	107402642	1	Elkabel, DK	[11]
01	107402254	1	Gasket Kit D42X58X6	
01	107402635	1	Electromagnet 24V Kit	[12]
01	302000853	1	Print 230V Sæt	[13]
01	302000693	1	SUCTION HOSE D32X5000 EL.CONDU	[14]
01	107402642	1	Elkabel, DK	[15]
01	107406091	1	Sugeslange AntiStatic 3,5m Ø27 m.adapter	[16]
01	107400267	1	Cord H05Rr-F 3G1.0 Ch	[17]
01	107402655	1	Temperature Sensor Kit	[18]
01	61174	1	Jordkabel	
01	909100204	1	Drejeknap	[19]
01	302000297	1	Pump 230/50 650W	[20]
01	302000307	1	Pump Subm. 115/60 650Wc G 5/4/	[21]
01	302000435	1	POWER CORD SJTW-A AWG18/3X8.2M NEMA -US	[22]
01	107400145	1	Ground Connector	
01	15352	1	Gummilæber standard (2 stk.)	[18]
01	42538	1	"Motorpakningssæt ""C"" "	[23]
01	302001678	1	AIR MANIFOLD ASSY. SET	[24]
01	302000825	1	ELECTRONIC SOFT START 100-	[25]
01	302000833	1	Electronics Ec-3 230V Set	[26]
01	302001704	1	Belt Container 1480 Set	
01	7729	1	Geka kobling	
01	15805	1	Sugeslange 3 m Ø36	
01	6429	1	Sugeslange Alu Ø36Mm Pr.M	[18]
01	107402651	1	Holder For Filter	
01	302000373	1	Luftfordeler	
01	107402641	1	Power Cord H05Rr-F 3G1.5X 8X2	[27]
01	302000529	1	Forlængerrør krom 500 mm 2 stk. Ø36	
01	302000460	1	Tætning til filter	[18]
01	107400574	1	CORD H05BQ-F 3G1.0 CEE GB 110	[28]
01	302004338	1	SOCKET 15A/125V US/CSA	[29]
01	302000514	1	Pakning	
01	302001553	1	SEAL CLAMP	
01	302001552	1	SEAL CLAMP	
01	15348	1	Tørsugningsmundstykke alu 450 mm Ø36	
01	107401054	1	Hjulsæt	
01	302001425	1	Electronic Ea.W.Speed Ec	[16]
01	302001605	1	Håndtag	

RECOMMENDED SPARE PARTS

ATTIX 751-71

2017.11.02

2015.06.29

Pos.	Vare-nr	Antal	Beskrivelse	Notes
01	302000823	1	CONTACT SPRING 41.8X14 AS BR	[30]
01	302000385	1	Filterhus	
01	26783	1	MOTOR 100V 1200W	[31]
01	47364	1	PACKING RING 108X86X18	
01	107400579	1	Piezo Buzzer	
01	26774	1	"Kulsæt ""M"" "	[32]
01	107413310	1	FILTER SUPPORT CAGE - KIT	
01	302000430	1	POWER CORD H05RR-F 3G0.75X8.0	[33]
01	302001363	1	Holder 155X55X35	
01	302000637	1	Tætning til beholder	[18]
01	14809	1	COUPLING MALE G1/4	[3]
01	15475	1	Metal-filter til vådsugning RF	
01	302004333	1	POWER CORD H05RR-F 3G1.5X8.4 AS3112 -AU	[34]
01	302000349	1	Lukkeclamp	
01	302000685	1	POWER CORD H05RR-F3G0.75X8.4 S	[35]
01	107402646	1	Filter Support Cage	
01	107402842	1	OUTLET 2P AND PE 16A 110V	[36]
01	107402627	1	MOTOR BEARING RING SET EC	[37]
01	107400059	1	SOCKET 10A/250V CH	[38]
01	60877	1	BRACKET	
01	302004336	1	SOCKET 13A/250V GB	[39]
01	48333	1	FINE-WIRE FUSE 6.3X32 10	[26]
01	302000826	1	Elektronik	[40]
01	49625	1	Kulsæt C	[37]
01	107400292	1	MAGNET 12V FPR 110V MACHINE	[41]
01	26785	1	MOTOR 120V 1000W	[42]
01	302001682	1	Sugeslange Antistatic 5 m lynkobling Ø36	
01	302000490	1	Filterelement PET-fleece M-klasse	
01	302000852	1	ELECTRONIC 120V SET1	[43]
01	107410490	1	COLLAR	
01	302001434	1	Opsamlingskurv	
01	107402618	1	Kobling	
01	26601	1	COAXIAL SUCTION HOSE D32	[44]
01	107401077	1	Hjul 200X50	
01	62359	1	GASKET 9X4X1	
01	11985	1	Sugeslange Ø36 pr. meter (max. 20 meter)	
01	15349	1	Vådsugningsmundstykke alu 450 mm Ø36	[18]
01	302000528	1	Rørbøjning krom-belagt lynkobling Ø36	
01	28875	1	"Motorpakningssæt ""L""+"M"" "	[45]
01	49594	1	Motor 220V 1200W	[46]
01	107408926	1	ELECTRONIC-UNIT EA M. DREHZ. 220-240V	[47]
01	302000434	1	POWER CORD H05RR-F 3G0.7	[48]
01	107408074	1	Forlængerrør RF 505 mm 2 stk. Ø36	
01	302001708	1	POWER CORD SJTW-A AWG	[49]
01	302000372	1	Plade	[18]
01	302000627	1	ELECTRONIC 110-120V SET1	[50]
01	302001432	1	Pakning Container	
01	107402619	1	SCREENING FILTER KIT	[26]
01	47035	1	COLLAR 55 SHORE A EPDM	[51]
01	11753	1	Filterelement (tørfilter)	[52]
01	107400267	1	Cord H05Rr-F 3G1.0 Ch	[53]
01	302001580	1	POWER CORD H07RN-F 3G1.5X10.7	[18]
01	302001546	1	Pakning	[54]
01	107413313	1	FIXTURE 72X32X52 - KIT	
01	107411687	1	SILIKON HOSE D3X1,5 2METER - KIT	
01	107400257	1	Mellemring	
01	302001185	1	SOCKET 10A/250V AU	[34]
01	26775	1	"Kulsæt ""L"" "	[55]
01	65058	1	FINE-WIRE FUSE	[7]

RECOMMENDED SPARE PARTS

ATTIX 751-71

2017.11.02

2015.06.29

Pos.	Vare-nr	Antal	Beskrivelse	Notes
01	107402638	1	Plate Chuck	[56]
01	302001712	1	Circuit Board Ec 220/240V	[57]
01	302004332	1	POWER CORD US	[58]
01	302001430	1	ELECTRONIC EC 110V SET-1	[7]
01	302001641	1	ADAPTOR SUBASSEMBLE	[59]
01	302000756	1	Switch Box	[60]
01	107402639	1	Monteringsplade	
01	302000683	1	Stikdåse	[61]
01	302000477	1	Kombimundstykke plast 260 mm Ø36	
01	5149	1	Gulvmundstykke plast 400 mm Ø36	
01	107402653	1	Bundplade F/Filter	
01	302000697	1	Gasket Filter	
01	302000465	1	Hjul	

Part Notes:

- [1] - GB,110V 751-11/21, 761-21
- [2] - EU -590-21, 751-11/21, 761-71, 791-21
- [3] - 560-31XC
- [4] - GB,230V 751-01/11/21, 761-21
- [5] - 590-21, 791-21,, 791-2M/B1EUGB,230V
- [6] - 791-2M/B1
- [7] - EC 12GALLON AS/E, 791-2M/B1GB,110V
- [8] - 100-120V 751-61-71
- [9] - 110-120V/1200W 751-71
- [10] - FOR IDENTIF. LETTER L+M
- [11] - DK 751-01
- [12] - FOR 220-240V
- [13] - 220-240V 761-21
- [14] - EC 12 GALLON AS/E
- [15] - DK 751-61
- [16] - 590-21, 791-21
- [17] - CH 751-01
- [18] - 751-71
- [19] - 751-61-71
- [20] - 230V/50HZ
- [21] - 115V/60HZ
- [22] - US 751-01
- [23] - FOR IDENITF. LETTER C
- [24] - 19GALLON AS/PE2
- [25] - 100-120V, 751-11GB,110/50, 19GALL.
- [26] - 590-21, 791-21, 791-2M/B1EUGB,230V
- [27] - EU 751-61, 791-21
- [28] - GB 751-01
- [29] - US 751-11/21 761-21
- [30] - GB,230V
- [31] - 100V/1200W 751-71
NO LONGER AVAILABLE
- [32] - FOR IDENTIF. LETTER M
- [33] - EU 751-01
- [34] - AU
- [35] - ZA 751-01
- [36] - GB,110V 751-11/21
- [37] - FOR IDENTIF. LETTER C
- [38] - CH 751-11/21 761-21
- [39] - GB,230V 751-11/21, 761-21
- [40] - 220-240V, 751-11 -21 19 GALL.
- [41] - FOR 100-120V
- [42] - 120V/1000W 751-71
- [43] - 100-120V 761-21

- [44] - PRUNED - NO REPLACEMENT
- [45] - FOR IDENTIF.LETTERL+M
- [46] - 220-240V/1200W 751-71
- [47] - 220-240V, 550-21, 751-21, 751-11
- [48] - AU 751-01
- [49] - 751-71 19GALLON AE
- [50] - 100-120V, 12GALL.RDF 751-11 -21
- [51] - 19GALL.AE
- [52] - ZA
- [53] - CH 751-61
- [54] - 791-21, 791-2M/B1
- [55] - FOR IDENTIF. LETTER L
- [56] - 590-21, EC 12GALLON AS/E, 791-21
- [57] - 220-240V 751-61-71
- [58] - US 751-11/21
- [59] - 751-01, 751-11, 751-21, 19GALL., 791-21, 791-2M/B1
- [60] - 550-1, 12 GALLON, 751-01
- [61] - DK 751-11/21, 761-21

