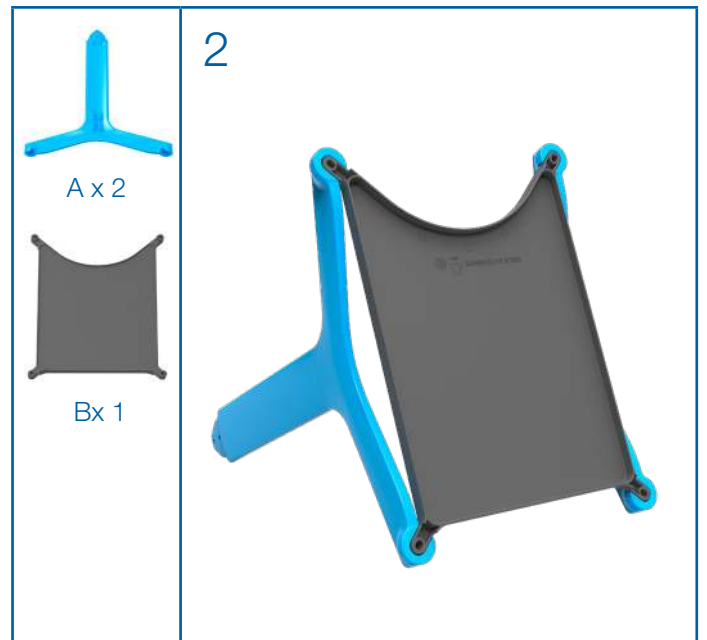
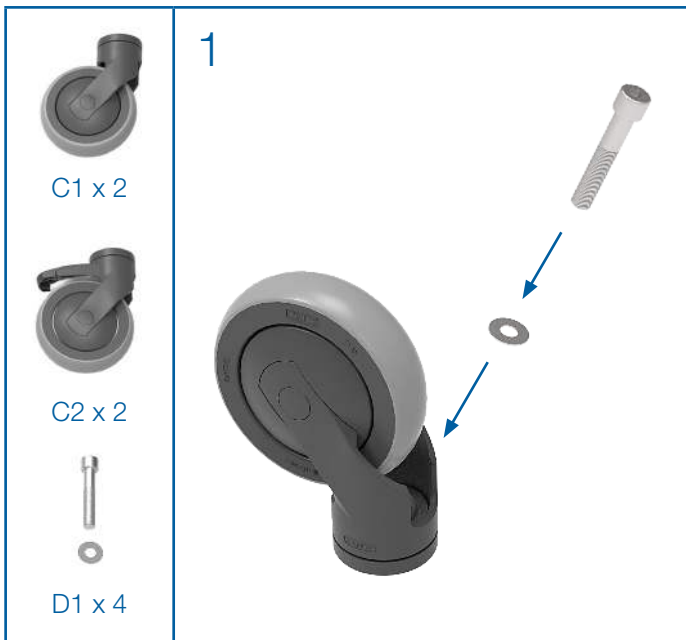
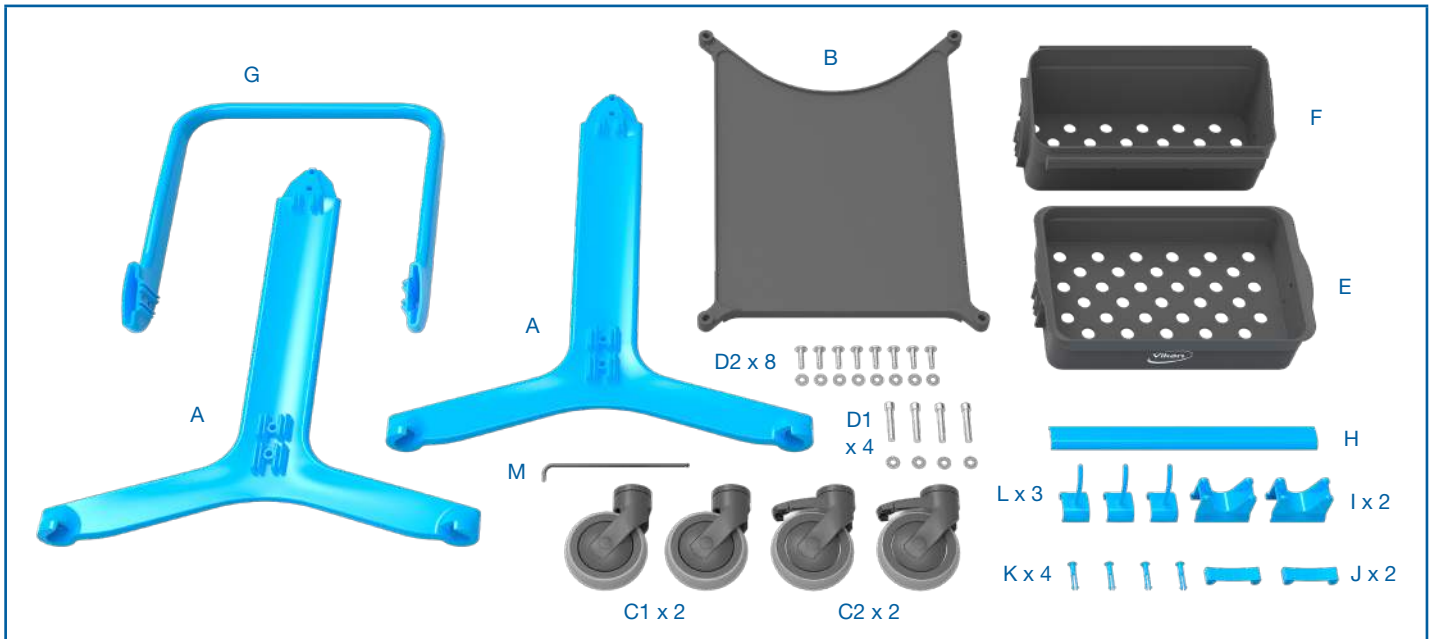


Assembly guide

HyGo

Mobile Cleaning Station [5700x]



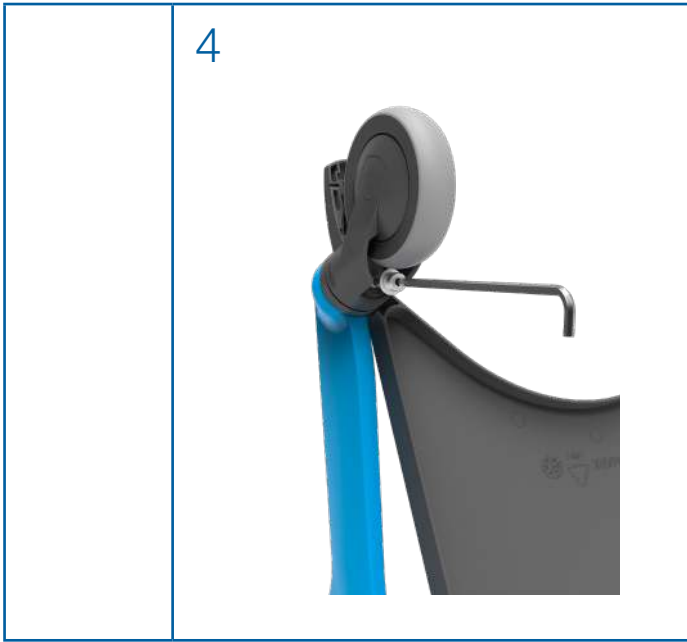
Scan for
video
instructions



3

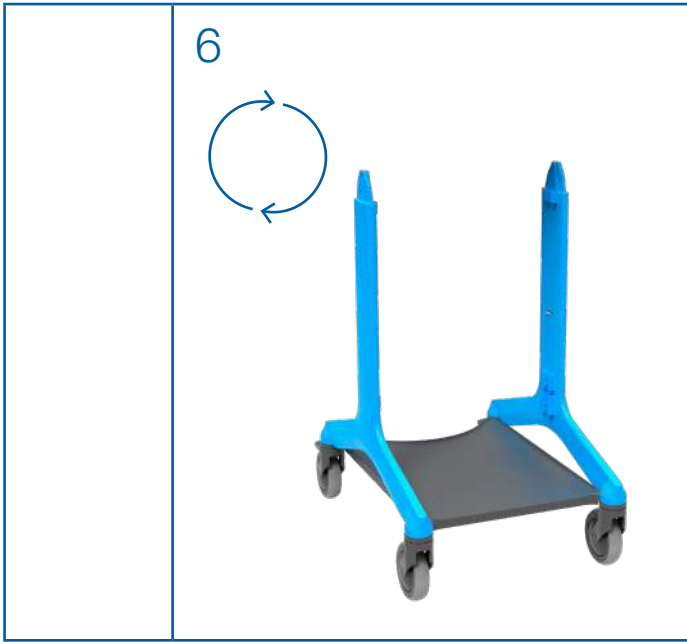
M x 1

Wheels with brakes (C2) must be placed at the curved end of the base plate.



5

IMPORTANT: Tighten all wheel screws thoroughly.



7

E x 1

“MAX 45lbs/20 kg” inside the tray should be towards the straight end of the base plate.

