

# PARTS LIST

2024.12.09

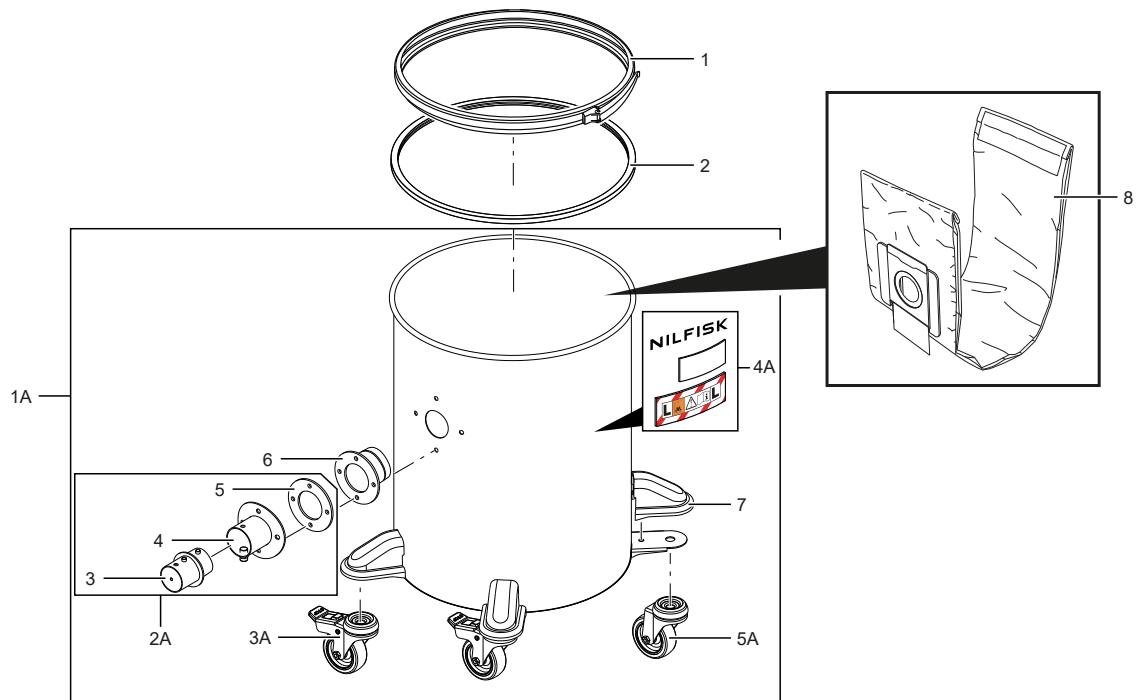
[www.nilfisk-cfm.com](http://www.nilfisk-cfm.com)



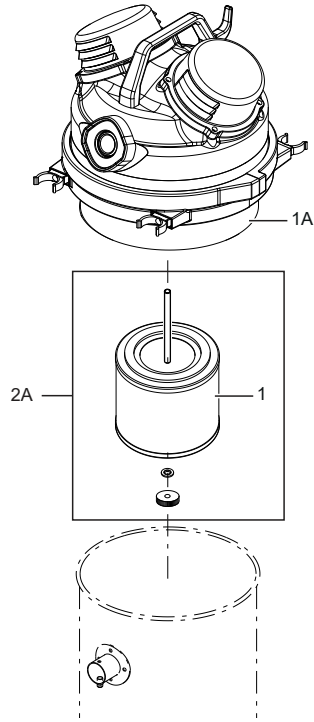
# TABLE OF CONTENTS

---

CONTAINER..... 1  
FILTER..... 3  
SUCTION UNIT..... 5  
SUCTION UNIT 2..... 7  
SUCTION UNIT 3..... 9



Pos.	Vare-nr	Antal	Beskrivelse	Notes
1	4081801694	1	BAND LOCK D.320 MOD.VHS01XBand lock	
2	80554900	1	SEAL FOR HOLDER SILICONE AUTOCLAVABLED280 seal	
3	4072000463	1	PLUG FOR INLET D40 SS ATEX COMPLETEPlug D40	
4	4083200913	1	BOCCHETTONE LAM. ATEX D40 FL.100 COMPL.Inlet D40	
5	Z8 17005	1	INLET SEAL D50D40 inlet seal	
6	4083201015	1	BAG CONNECTION D.60 FLANGE D.80LC Bag Coupling	
6	4083201014	1	ATTACCO SACCO D.50 FLANGIA D.80MC/HC Bag Coupling	
7	4081701637	4	WHEELS BUMPER MOD.VHS01XFoot Cover	
8	107419635	1	SACCO CON COLLARE ATTIX5Paper Bag LC	
8	107419592	5	FLEECE FILTER BAG 5 PCS ATTIX 40/50Paper Bag LC	
8	4084001606	1	DUST BAG ANTISTATICO CAT. M D320Safe Bag MC	
8	4089101208	5	5 ANTISTATIC DUST BAG MC KIT D320	
8	4084001573	1	SAFE BAG ANTISTATIC D320 MOD.VHS010Safe Bag HC	
8	4089101209	5	5 ANTISTATIC DUST BAG HC KIT D320	
1A	4089101205	1	CONTAINER COMPLETE KIT VHS010 Z22 LCLC Container complete kit	
1A	4089101206	1	CONTAINER COMPLETE KIT VHS010 Z22 MC/HCMC/HC Container complete kit	
2A	4089101207	1	COMPLETE INLET KIT EXA D40 VHS010 Z22	
3A	4089101161	2	ANT.PIVOTING WHEEL+BRAKE KIT D60 M.VHS01D60 Wheel Kit with Brake	
4A	4089101167	1	LABELS KIT VHS011	
5A	4089101162	2	ANT.PIVOTING WHEEL KIT D60 MOD.VHS01D60 Wheel Kit	



# FILTER

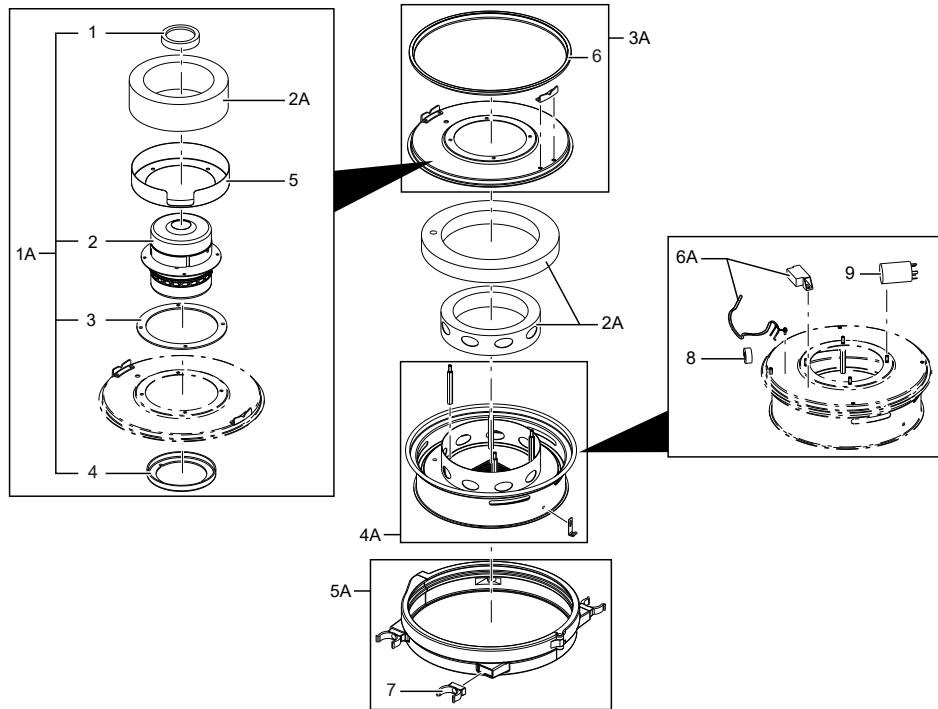
VHS010 Z22

2024.08.22

2024.08.22

---

<b>Pos.</b>	<b>Vare-nr</b>	<b>Antal</b>	<b>Beskrivelse</b>	<b>Notes</b>
1	Z8 17262	1	Hepa FilterAU filter	
1A	4089101188	1	COMPLETE HEAD KIT VHS010 Z22 230V	
1A	4089101189	1	COMPLETE HEAD KIT VHS010 Z22 110V	
2A	4056001053	1	SUCTION ARM D50 KIT TPLUS RAL7001 EXAAU filter kit	

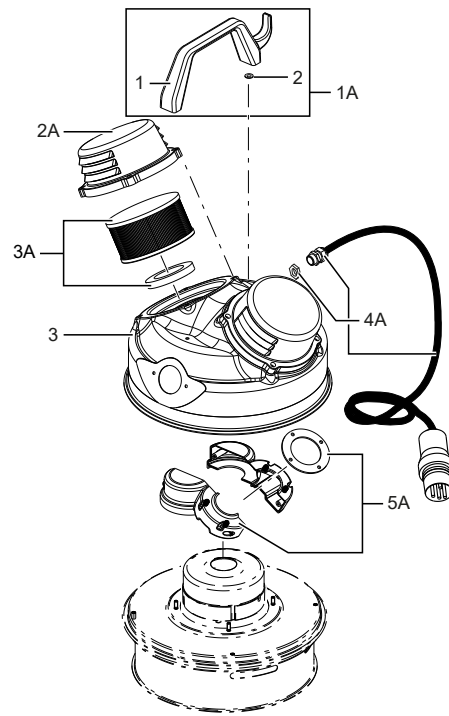


Pos.	Vare-nr	Antal	Beskrivelse	Notes
1	80555600	1	SEAL FOR EXHAUST FILTER SILICONE AUTOCLMotor head gasket	[1]
2	4085300449	1	MOTORE BRUSHLESS KW1,1 230/110V+KIT CAVIMotor	
3	4081701873	1	GUARNIZIONE MOTORE D.174 MOD.VHS01XGasket	
4	Z8 17325	1	Gummipakning f. motorMotor Gasket	
5	4081601466	1	DISCO SUPPORTO FONOASSORBENTE MOD.VHS01XSoundproof support disk	
6	80554900	2	SEAL FOR HOLDER SILICONE AUTOCLAVABLED280 seal	
7	4081601444	4	FIXING COLLAR ACCESSORIES D40 M.VHS011Accessories holder	
8	4083902122	1	NUCLEO FERRITE PER CAVO MOD.VHS01X ATEXFerrite	
9	4083902121	1	FILTRO ANTIDISTURBO 16A MOD. VHS01X ATEFilter interference	
1A	4089101169	1	MOTOR KIT VHS01X ATEX	
2A	4081701865	1	MOTORHEAD SOUNDPROOF KIT MOD.VHS01X ACDSoundproofing Kit	
3A	4089101168	1	MOTOR HOLDER KIT VHS01X	
4A	4089101210	1	MOTOR SUPPORT KIT VHS010	
5A	4089101171	1	CLOSURE RING KIT + COLLARS VHS01X	
6A	4089101172	1	CABLE KITS VHS01X Z22 230V	

Part Notes:

[1] - Old IVAC production products

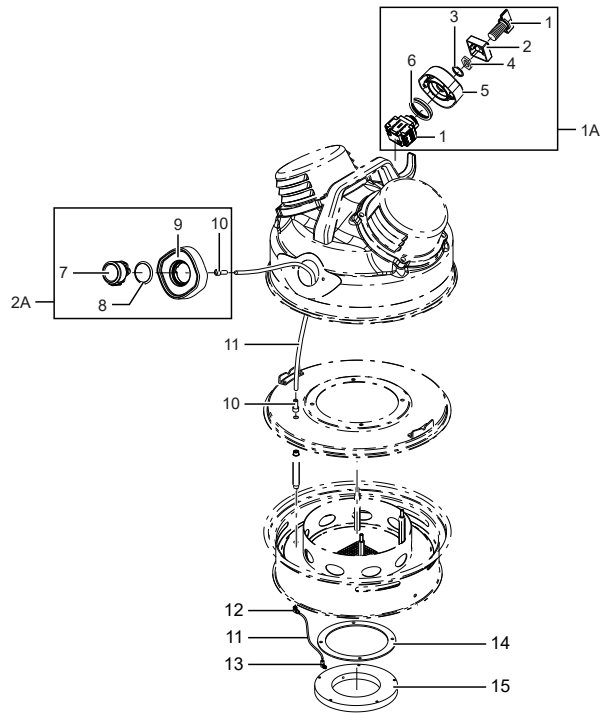




Pos.	Vare-nr	Antal	Beskrivelse	Notes
1	4081801688	1	MANIGLIA MOD.VHS01XManiglia	
2	4084001593	2	ANELLO O-RING 8 X 1 VMQ ROSSOO-ring	
3	4081601421	1	COVER COMPLETA MOD.VHS011Top Cover	
1A	4089101173	1	HANDLE KIT VHS01X ATEX	
2A	4089101174	2	FILTER COVER KIT VHS011Filter Cover kit	
3A	4089101175	2	COOLING FILTER KIT VHS01Cooling filter kit	
4A	4089100820	1	KIT CABLE POWER MOD VHS110 V230Power cord Kit	
4A	4089101028	1	KIT POWER CABLE MOD VHS110 V110UK power cord Kit	
5A	4089100824	1	KIT CONVEYER AIR HEAD MOD.VHS110Conveyor kit	[1]

Part Notes:

[1] - CONTACT PM IN ZOCCA



Pos.	Vare-nr	Antal	Beskrivelse	Notes
1	4083901742	1	MAIN SWITCH 16A 2P REAR BOX ATEX II2GDMain switch	
2	4081601440	1	PANNELLO PER INTERRUUTT. ATEX MOD.VHS01XFront panel for switch	
3	4084001289	1	OR NBR 70 19X20-ring 19x2	
4	Z8 40231	1	RING NUT 1/2 ZINC PLATEDRing Nut 1/2	
5	4081601439	1	SUPPORTO INTERRUETTORE ATEX MOD.VHS01XPanel for switch	
6	4081701209	1	GUARNIZIONE SILIC. INTERRUETTORE VHS110Main switch seal	
7	4084001360	1	VUOTOMETRO PER TESTATA VHS120Vacuum gauge	
7	Z8 40400	1	VAC. GAUGE X HEAD COMP. W.BRACKET+NUTS110V Vacuum gauge	
8	4084001591	2	ANELLO O-RING 4 X 1 VMQ ROSSOO-ring 4x1	
8	4084001592	1	ANELLO O-RING 10 X 1 VMQ ROSSOO-ring 10x1	
8	4084001594	1	ANELLO O-RING 34,65 X 1,78 VMQ ROSSOO-ring 34,65x1,78	
9	4081601441	1	SUPPORTO VUOTOMETRO MOD.VHS01XVacuum gauge holder	
10	4084001294	2	QUICK CONNECTION STRAIGHT JOINT D4 1/8 FConnection 1/8 F	
11	4084001295	3	HIGH TEMPERATURE PTFE PIPE 2X4D4 pipe	
12	4084001576	1	"MALE FITTING AIGNEP 1/8""Connection 1/8 M	
13	4084001577	1	MALE FITTING AIGNEP M5Connection M5 M	
14	Z8 17056	1	Inlet Junction Ø100D100 seal	
15	4081401020	1	PRESSURE TAKE FOR VACUUM GAUGE M.VHS01XVacuum Pressure Gauge	
1A	4089101176	1	MAIN SWITCH KIT VHS011 Z22	
2A	4089101177	1	VACUUM GAUGE KIT VHS01X Z22	

